

Animal By Products Crusher

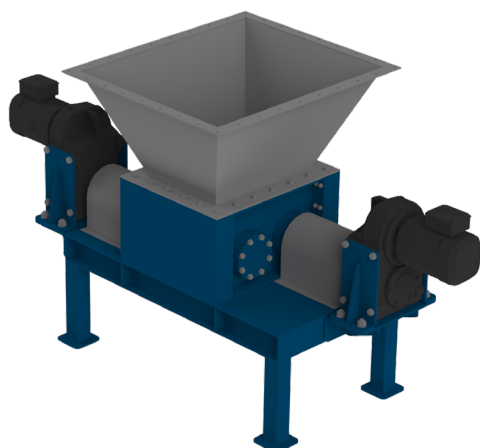
Animal By-Products Crusher is designed to crush the cooked animal by-products. Material which is crushed after the cooking process is fragile and easy to crush. The final product coming out of the crusher is not larger than about 20-30mm.

Easy to control

Crusher made of wear resistant steel

Energy efficient

Double shaft crusher



- ⇒ Tailor made hopper and legs
- ⇒ Double gearbox and motor
- ⇒ Robust construction of knives
- ⇒ Before Twin Screw Press
- ⇒ Solid seals and bearings
- ⇒ Easy replacement of knives

TECHNICAL DATA:

Model	Capacity [ton/hr]	Particle after crusher [mm]	Power [kW]	Weight [kg]	Dimensions [mm]		
					L	W	H
AC-1	10	20-30	15	2200	2300	1400	1800

Application:

- ⇒ Dry rendering process
- ⇒ Cooked meat and poultry